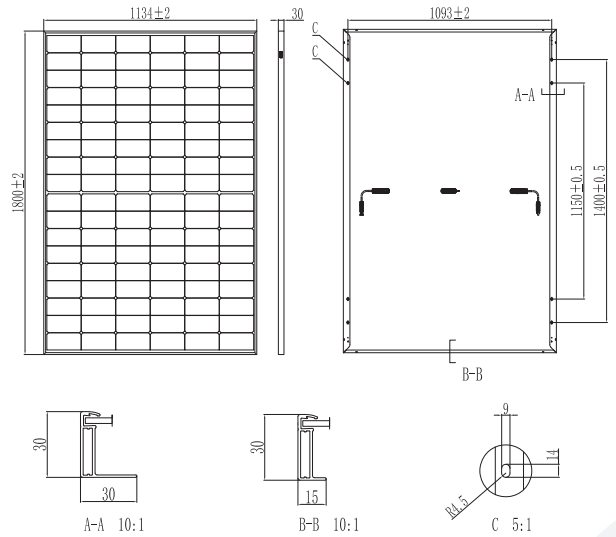




23.76%
efficiency

HPBC
CELLS

Totally
Black



ELECTRICAL CHARACTERISTICS	STC			NMOT		
	475	480	485	490	495	500
Maximum Power - Pm [W]	475	480	485	490	495	500
Open Circuit Voltage - Voc [V]	40.18	40.29	40.40	40.52	40.64	40.76
Short Circuit Current - Isc [A]	15.03	15.13	15.23	15.33	15.43	15.53
Maximum Power Voltage - Vm [V]	33.16	33.28	33.40	33.51	33.62	33.73
Maximum Power Current - Im [A]	14.33	14.43	14.53	14.63	14.73	14.83
Module Efficiency - η [%]	23.27	23.51	23.76	24.00	24.25	24.49

Note: 1. Standard Test Conditions [STC]: irradiance 1000 W/m²; AM 1.5; cell temperature 25°C according to EN 60904-3;
2. NOCT: Irradiance 800 W/m²; wind speed 1 m/s, ambient temperature 20°C;
3. Tolerance of Pm: +/-3%. Measuring uncertainty of power: +/-3%. Performance deviation of Voc [V], Isc [A], Vm [V] and Im [A]: +/-3%

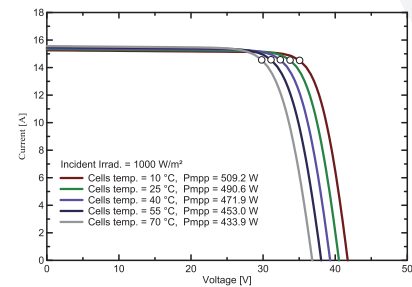
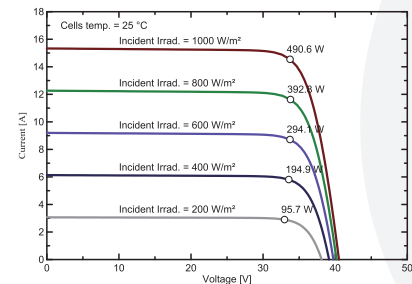
MECHANICAL PARAMETERS

Dimensions	1800 x 1134 x 30 mm
Weight	21.6 kg
Glass	Single Glass, 3.2mm Coated Tempered Glass
Frame	Anodized Aluminium Alloy
Cells	Half-Cell HPBC Mono Black
Number of Cells	108 (6 x 18)
Junction Box	IP 68 (3 Diode)
Cable	TUV 1x4.0 mm ² , (+):1200mm/(-):1200mm or Customized Length
Connector	Staubli MC4 EVO 2A

MAXIMUM RATINGS

Maximum System Voltage [V]	1500V DC (IEC)
Limiting Reverse Current [A]	30
Maximum Surface Load Capacity [Pa]	Front 6000 / Back 3600
Temperature Range [°C]	-40 ~ +85
Withstanding Hail	Maximum diameter of 25 mm with impact speed of 23 m/s
Power Tolerance	±3%

I-V CURVE



TEMPERATURE PARAMETERS

NOCT	45°C (±2°C)
Temperature Coefficient of Voc	-0.23%/°C
Temperature Coefficient of Isc	+0.05%/°C
Temperature Coefficient of Pm	-0.29%/°C

PACKAGING CONFIGURATION

Packing Type	40'HQ
Piece / Pallet	36
Piece / Container	864

15 years product warranty

30 years performance warranty

